

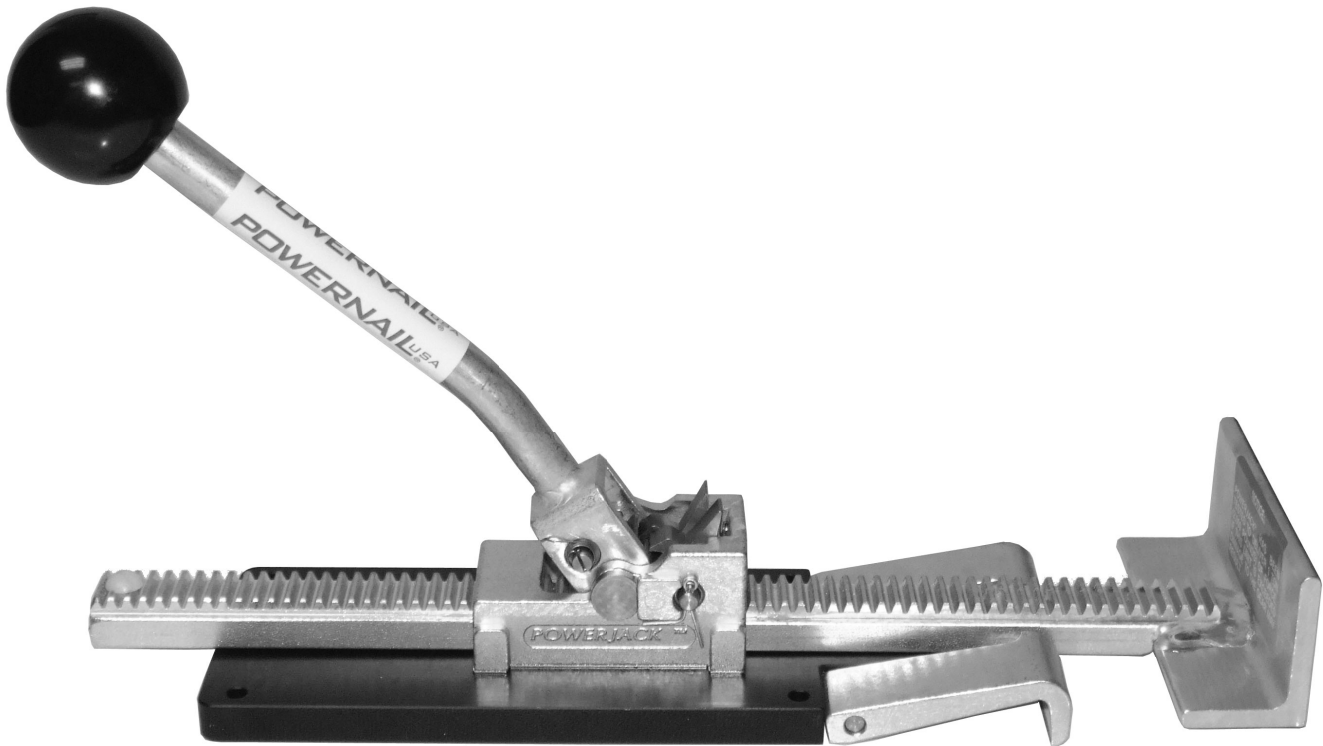
# **POWERNAIL® CO.**

1300 Rose Road, Lake Zurich, IL 60047

Phone: 1-800-323-1653

www.powernail.com

## **MODEL 500 Powerjack™ User Manual**



**The Model 500 Powerjack is used to either push or pull hardwood flooring strips into place. The Powerjack can be left in place, hands free, while that section of flooring is being nailed down.**

### **WARNING**

Read this manual before you use this Powerjack. Follow all safety warnings and instructions. If you are uncertain about the operation of the Powerjack, call us directly at 1-800-323-1653 for assistance or contact the closest Powernail Dealer for help. Please retain this information for future reference.

REV 19.04.18

## Model 500 Powerjack

The POWERJACK Model 500 is designed to push or pull flooring strips into place and hold them tightly.

Easy to operate! Use the lever handle to ratchet the faceplate against a stationary surface. Continue to ratchet until the self-adjusting jaw draws the flooring to the desired position. The POWERJACK can be left in place while you nail down the flooring strip. To release the POWERJACK, simply push the handle to full forward position.

The Model 500 POWERJACK sits on top of your flooring and gains leverage against a wall or a wall-stud. When a stud location cannot be determined, a board long enough to span the distance of the studs should be used to prevent breaking through the drywall (**picture 1**).

When not near a wall, the Model 500 can also be used mid-floor by screwing the base plate directly to the sub floor and pushing against your flooring strips. (**see picture 2**).

Under the toe kick of a cabinet, the POWERJACK Model 500 can be used to tighten boards and hold them in place (**see picture 3**).

The Powerjack 500 self adjusts to the thickness of the wood flooring being installed.

### **To Use:**

1. Only push against a stationary surface such as a wall stud. When between wall studs, push against a board long enough to span the distance of the studs so as to prevent breaking through the drywall.
2. Ratchet the lever handle until faceplate contacts the stationary surface
3. Continue to ratchet until the self-adjusting jaw draws the floor tight for nailing
4. The Powerjack 500 can be left in place, hands free, while that section of flooring is being nailed down.
5. When using the Powerjack mid-floor, screw the base plate to the subfloor in front of your flooring and use the Powerjack to push against your flooring strips.

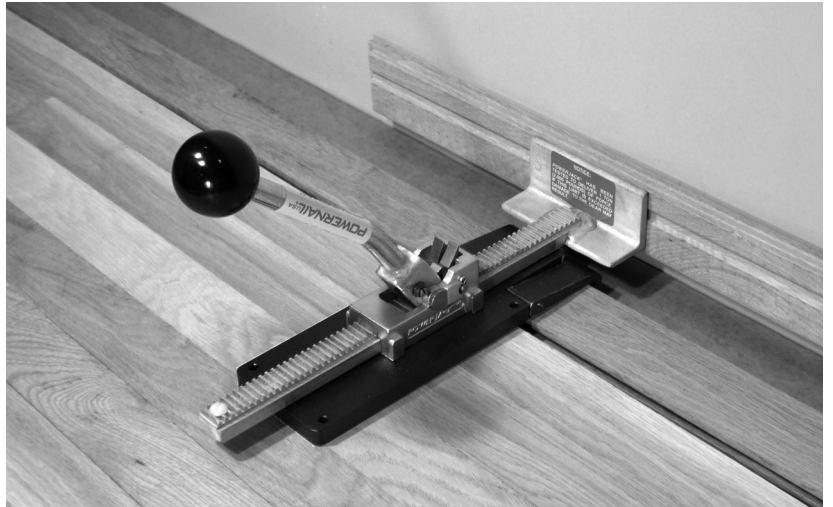
### **To release:**

To release the Powerjack 500, push the handle to the full forward position.

**Powerjacks™ are made in the USA**

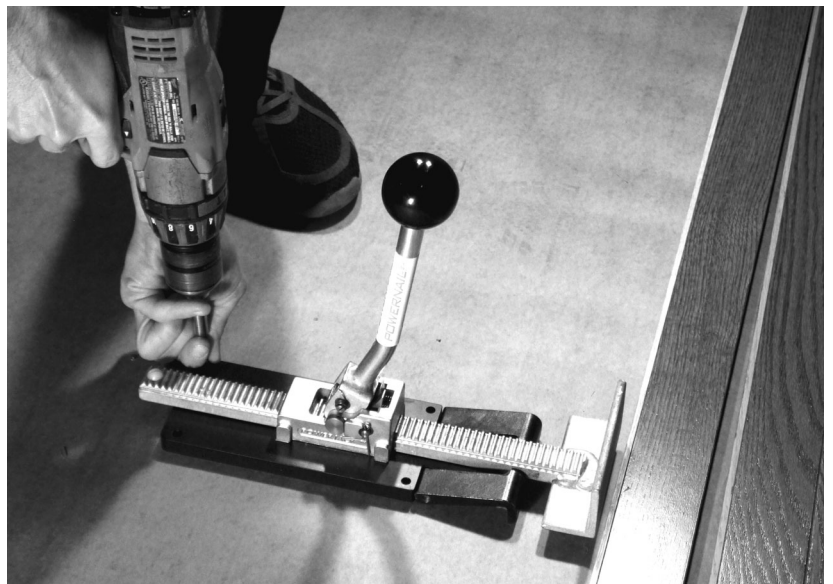
*Picture 1*

When near a wall, only push against a stationary surface such as a wall stud. When wall stud locations cannot be determined, push against a board long enough to span stud spacing to prevent breaking through the drywall (see picture 1).



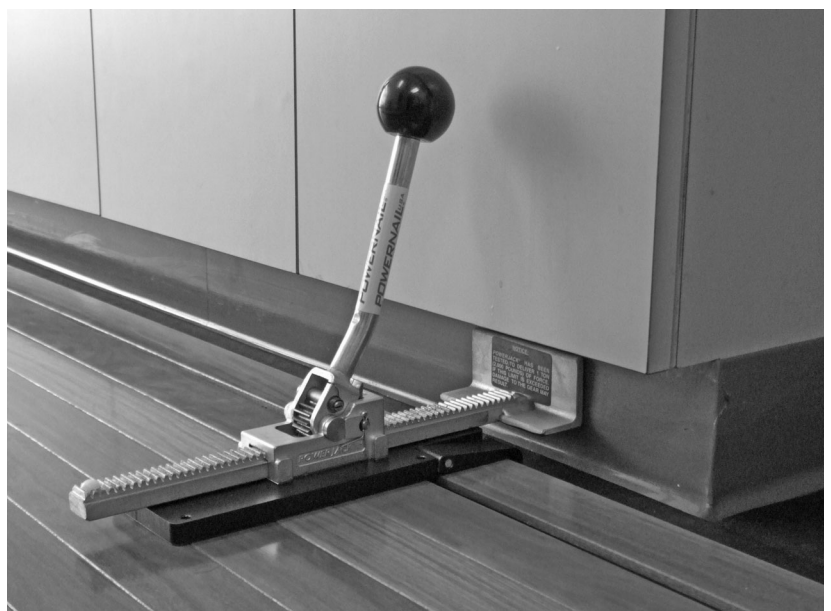
*Picture 2*

The Model 500 can be used mid-floor by screwing the base directly to the sub floor and pushing the flooring strips into place (see picture 2).



*Picture 3*

When under the toe kick of a cabinet, the Powerjack Model 500 tightens boards and holds them in place hands-free while that section of flooring is nailed down (see picture 3).



## Model 500 Powerjack Safety

Always use approved eye protection.

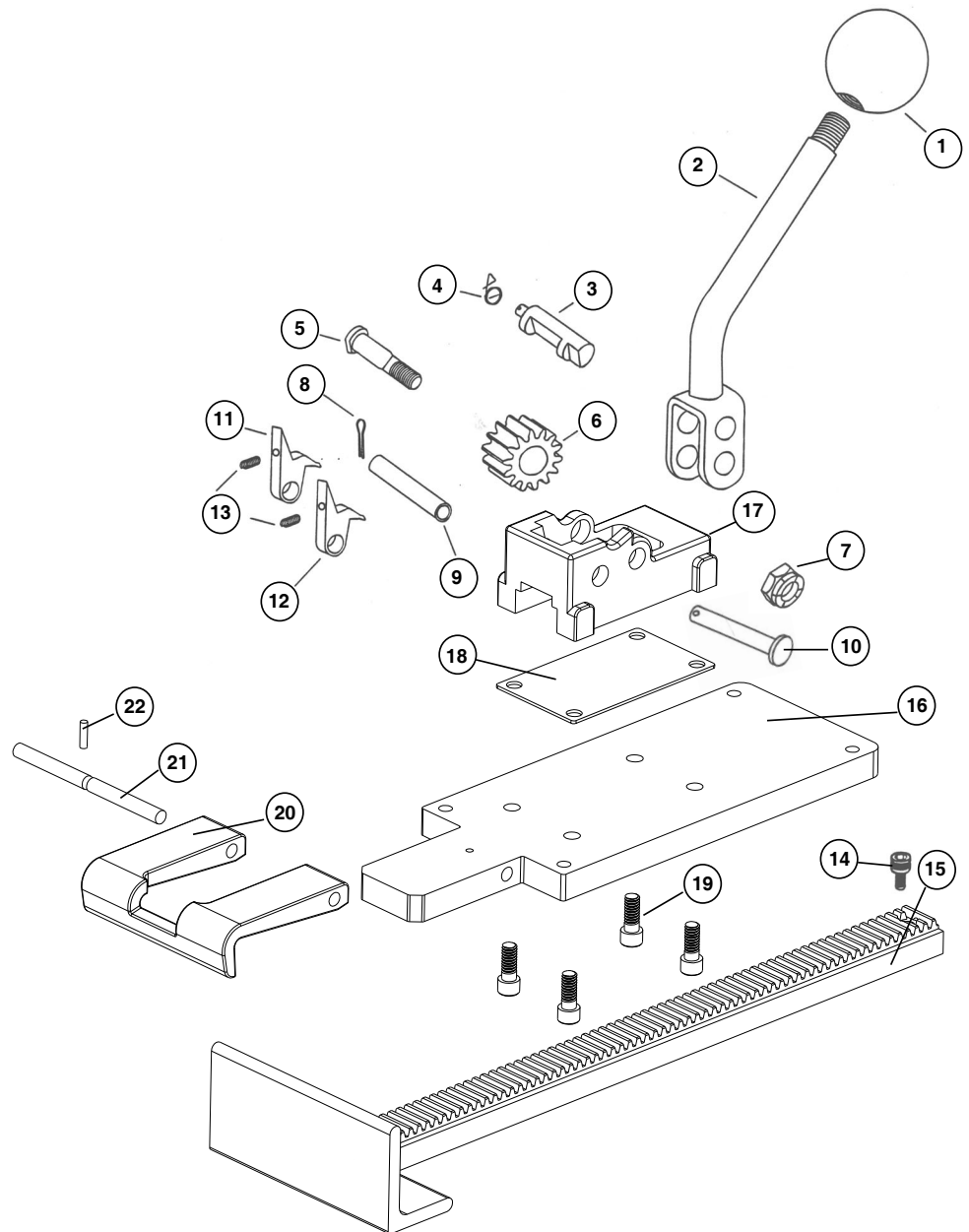
Keep fingers away from gear area.

Do not hit the ratchet handle with a mallet.

Do not over torque.

## Model 500 Powerjack Exploded View

PART NAME	PART NO.
1. KNOB	08-10000010
2. HANDLE	08-10000020
3. RATCHET SHAFT	08-10000030
4. RATCHET SPRING	08-10000040
5. GEAR SHAFT	08-10000050
6. GEAR	08-10000060
7. GEAR SHAFT NUT	08-10000070
8. COTTER PIN	08-10000080
9. PAWL BUSHING	08-10000090
10. PAWL PIN	08-10000100
11. PAWL #1	08-10000110
12. PAWL #2	08-10000120
13. PAWL SPRING (2)	08-10000130
14. CAP SCREW	08-10000140
15. RACK ASSEMBLY	08-500232A
16. BASE PLATE	08-50000250
17. HOUSING	08-50000180
18. HOUSING SPACER	08-50000190
19. 1/4-20 x .625 S.H.C.S. (x4)	08-50000270
20. HOOK	08-50000260
21. PIN	08-50000280
22. SET PIN	08-50000220
<b>REPAIR KIT</b>	<b>PART NO.</b>
TUNE-UP KIT	08-100TUKIT



Visit our web page at [www.powernail.com](http://www.powernail.com)

**POWERNAIL® CO.**